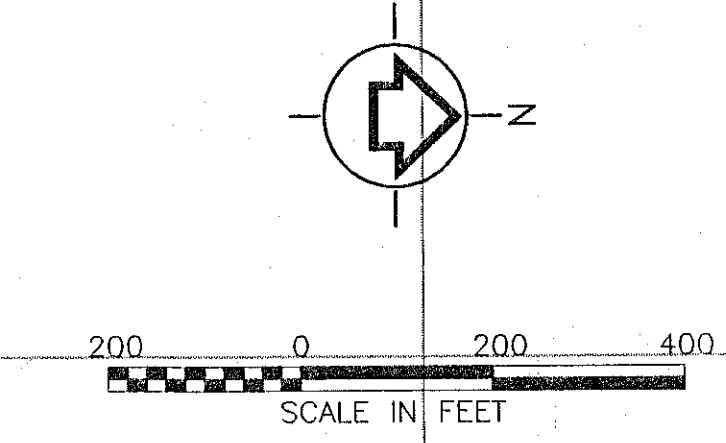



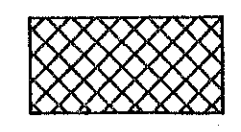

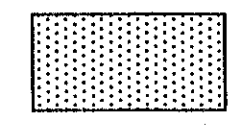
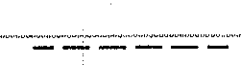
File: F:\2340053\CO5 Date: Nov 21, 1996 8:25:09 am Scale: 1"=200' Xrefs: GALLOPW, GALLOPE



N 667000
E 1381000



LEGEND

-  1a CHANNEL MIGRATION ZONE
-  1b BANK EROSION HAZARD ZONE
-  P "PROTECTED" ZONE
-  2 SEDIMENT LADEN FLOOD ZONE
-  UNCERTAIN "HAZARD" ZONE BOUNDARY

**WATER RESOURCES
CONSULTING**

date	designed by
8-22-96	drawn by
scale	checked by
AS NOTED	approved by

revisions

**GALLOP AND GLACIER CREEKS
ALLUVIAL FAN ANALYSIS**

HAZARD ZONING

PLATE 2
sheet number
2 of 3

This drawing is full size when 36" x 48"