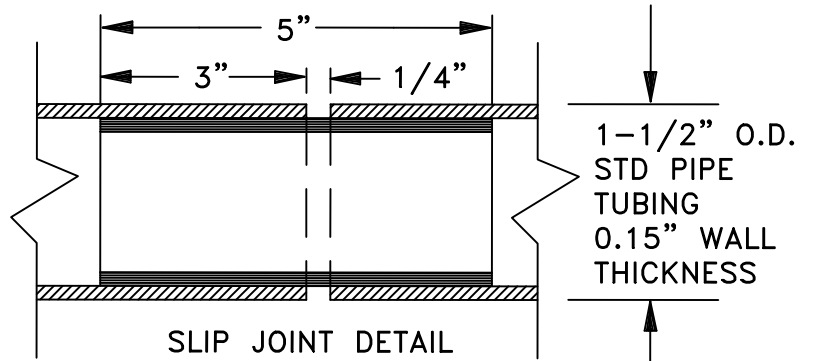


DETAIL A



SLIP JOINT DETAIL

DETAIL B

NOTES:

1. Material for handrail shall be aluminum or galvanized steel.
2. Provide slip joints at expansion joints and at every 24 feet on center maximum.
3. 3/4 inch SCH 40 (std pipe) balusters shall be inserted in hole of 1-1/2 inch std pipe and tack welded opposite traffic.

5/4/04

Not to Scale

DRAWING 508.E-2
HANDRAIL DETAIL
WHATCOM COUNTY DEPARTMENT OF PUBLIC WORKS